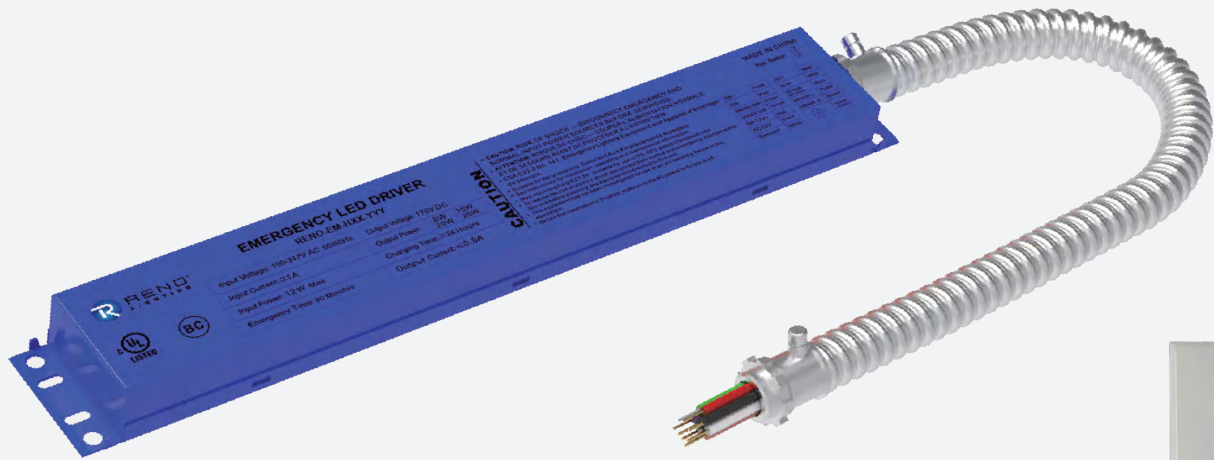


Date:	Project Name:
Type:	Part Number:



Low Voltage, Illuminated Test Switch

EMERGENCY LED DRIVER

DESCRIPTION

The RENO-EM-Hxx meets Standard CSA C22.2 NO.141, UL924 and has the following features: Over Charge protection, Over Discharge protection, and Short Circuit Protection. When the AC power goes out, the emergency driver detects the AC power outage and automatically switches to emergency mode - The red LED light switches off. When the AC power is restored, the emergency driver returns to AC mode and begins recharging - The red LED light switches on.

FEATURES

- Output emergency power options: 15W, 25W & 40W
- AC Input Current 100mA max
- Universal input (100-347V)
- Silicone sealed for thermal protection and waterproof rating
- Built-in Lithium Battery
- Battery protection: over charge protection, over discharge protection, short circuit protection
- 500 cycles of standard charge and discharge
- Temperature Rating (Ambient) 32°F to +122°F (0°C to 50°C)
- 5 year warranty

FOR USE WITH

- Center Basket
- Flat Panels
- Linear Highbays
- Troffers



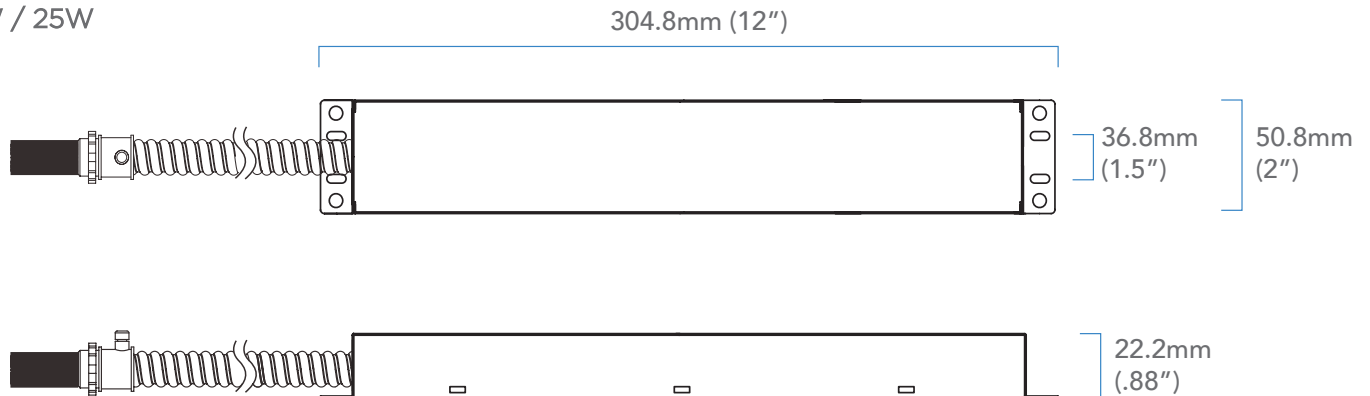
Date:	Project Name:
Type:	Part Number:

SPECIFICATION

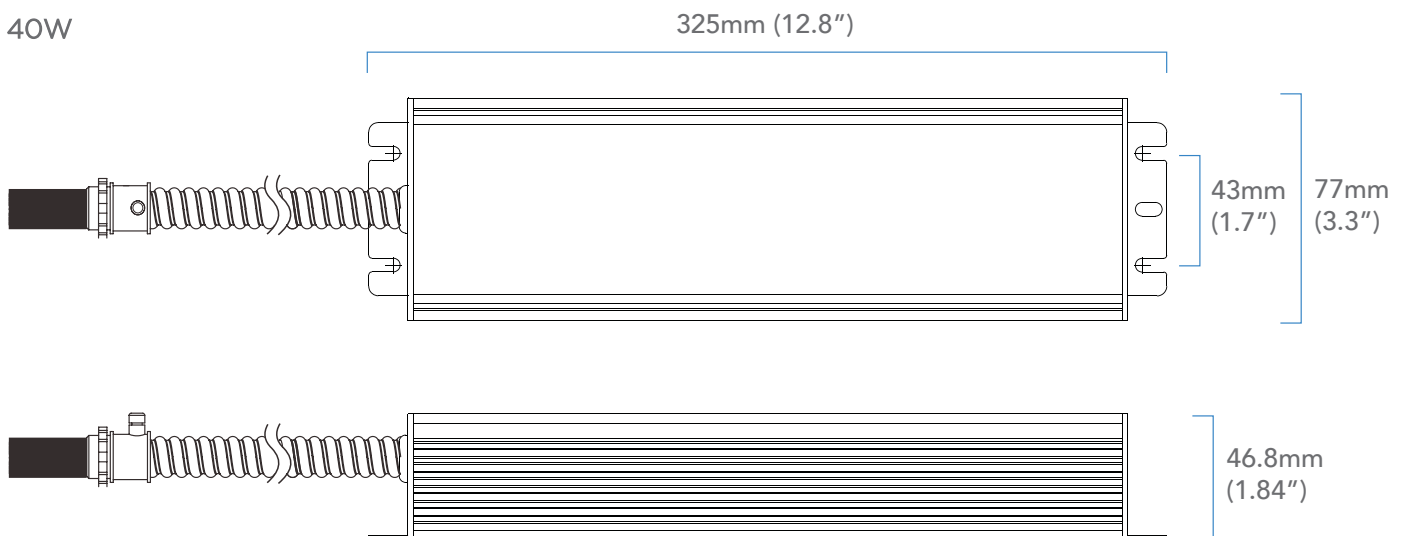
ORDER#	MODEL#	INPUT CURRENT	INPUT POWER	INPUT VOLTAGE	OUTPUT VOLTAGE	OUTPUT POWER	APPLICATION
R83001	RENO-EM-H15	100 mA	12W max	100-347Vac/ 50/60Hz	170VDC	15W	≤80w(0-10v Dimmable fixture) ≤15w LED Lamps without dimming function (For Flat Panels, Troffers & Center Basket)
R83002	RENO-EM-H25	100 mA	12W max	100-347Vac/ 50/60Hz	170VDC	25W	≤80w(0-10v Dimmable fixture) ≤25w LED Lamps without dimming function (For Linear Highbay (up to 200W)
R83003	RENO-EM-H40	100 mA	12W max	100-347Vac/ 50/60Hz	170VDC	40W	≤80w(0-10v Dimmable fixture) ≤40w LED Lamps without dimming function (For Linear Highbay (over 200W)

DIMENSIONS

15W / 25W



40W



Date:	Project Name:
Type:	Part Number:



IMPORTANT SAFEGUARDS

When using electrical equipment, basic safety precautions should always be followed including the following

PLEASE READ AND FOLLOW ALL SAFETY INSTRUCTIONS.

CAUTION:RISK OF SHOCK-disconnect emergency and normal input power sources before servicing any equipment connected to this unit.

CAUTION:Risk of fire or electric shock-This emergency battery pack installation requires knowledge of luminaire and electrical systems.

CAUTION:Service of this equipment should be performed by qualified personnel only

CAUTION:Before installation, make certain the AC power to fixture is off.

CAUTION:Verify that all replacement lamp types marked on the installed luminaire are also identified as suitable for use with this emergency battery pack.

CAUTION:Suitable for use in 5°C -50°C ambient temperatures.

IMPORTANT: An unswitched AC power source is required (100-347 VAC, 50/60 Hz). This device is designed for fixtures listed for dry and damp locations.

IMPORTANT: Customers are advised to charge emergency LED driver 24 hours every 6 months during storage

CAUTION:Do not use outdoors. Do not mount near gas or electric heaters.

CAUTION:Equipment should be mounted in locations and at heights where it will not be subjected to tampering by unauthorized personnel.

CAUTION:The use of accessory equipment not recommended by the manufacturer may cause an unsafe condition The emergency battery pack is not for in an air-handling fixture.

CAUTION:Do not use this equipment for other than its intended use.